

General:

Highest Quality Sink Manufacture From 20 Gauge (1.00mm)

Type AISI -304 (18-8) Nickel Bearing Stainless Steel

Design Features:

Bowl Depth: 175mm

Finish Available Glossy & Satin

Underside: Fully protected by heavy duty Sound Guard

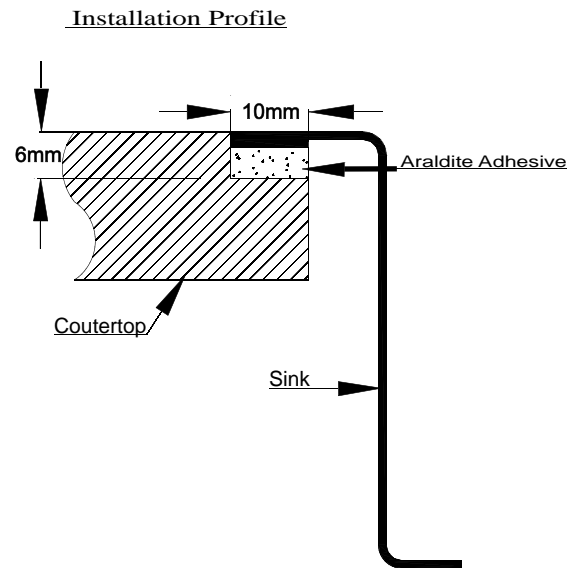
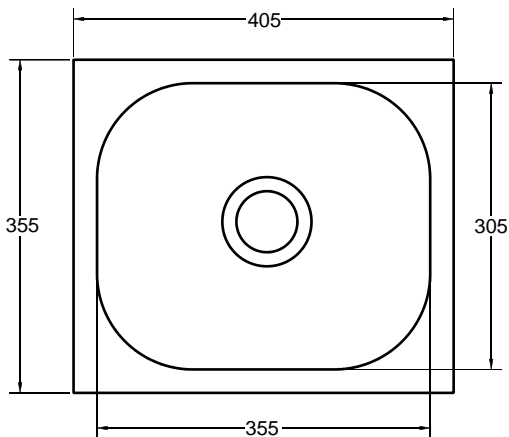
Undercoating to reduce Condensation and Dampen sound



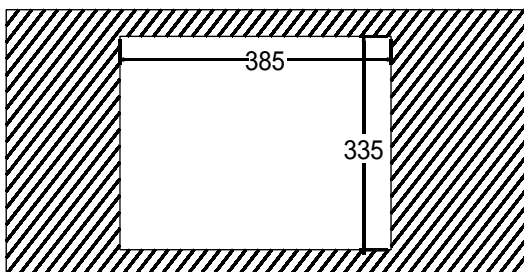
Sink Dimensions

MODEL Code	Overall Size		Bowl Size			Countertop Cutout Size		Minimum Cabinet Size
	L	W	L	W	D	L	W	
106	405	355	355	305	175	385	335	535mm(21")
	16"	14"	14"	12"	7"	15.15"	13.18"	

Sink Dimensions



Sink Flushmount Cutout



GRANITE CUTTING SECTION VIEW

