

**General :**

Highest Quality Hob Manufacture from High Quality Stainless Steel

**Design Feature :**

Heavy Duty Cast Iron Pan Support ,Automatic Battery Ignition

Auto Choke Safety Device

1 Tripple Ring Burner

1 Auxiliary Burner

2 Semi repid Burner

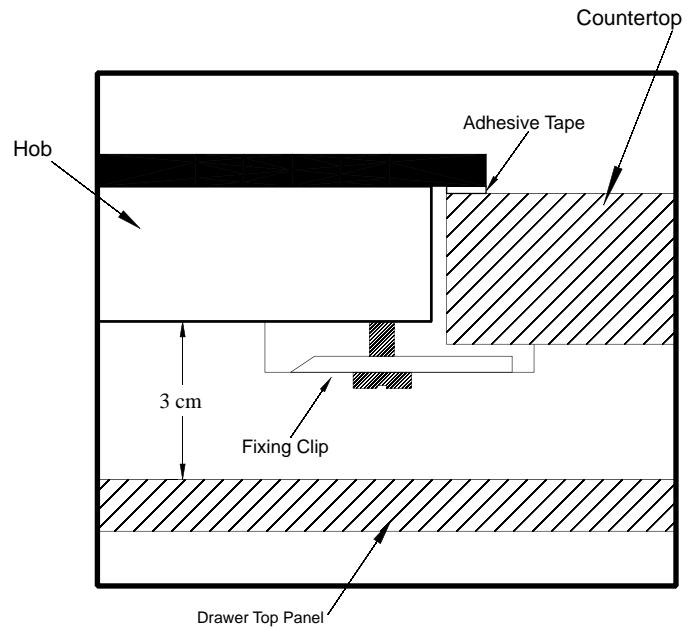
1 Rapid Burner



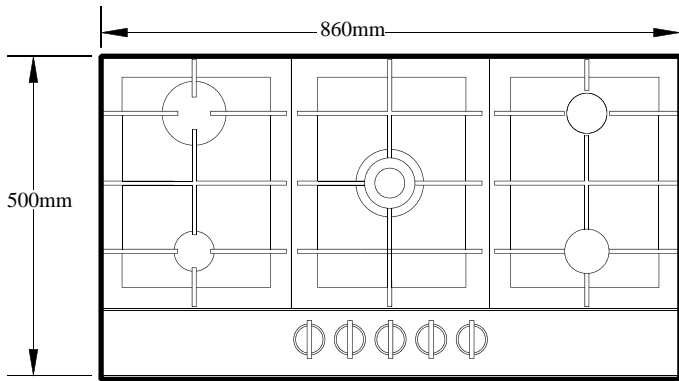
HOB Dimensions

MODEL Code	Overall Size			Countertop Cutout Size	
	L	W	D	L	W
ANS905C	860	500	90	827	470
	33.85"	19.69"	3.52"	32.75"	18.50"

Installation Profile



Hob Dimensions



Hob Cutout

